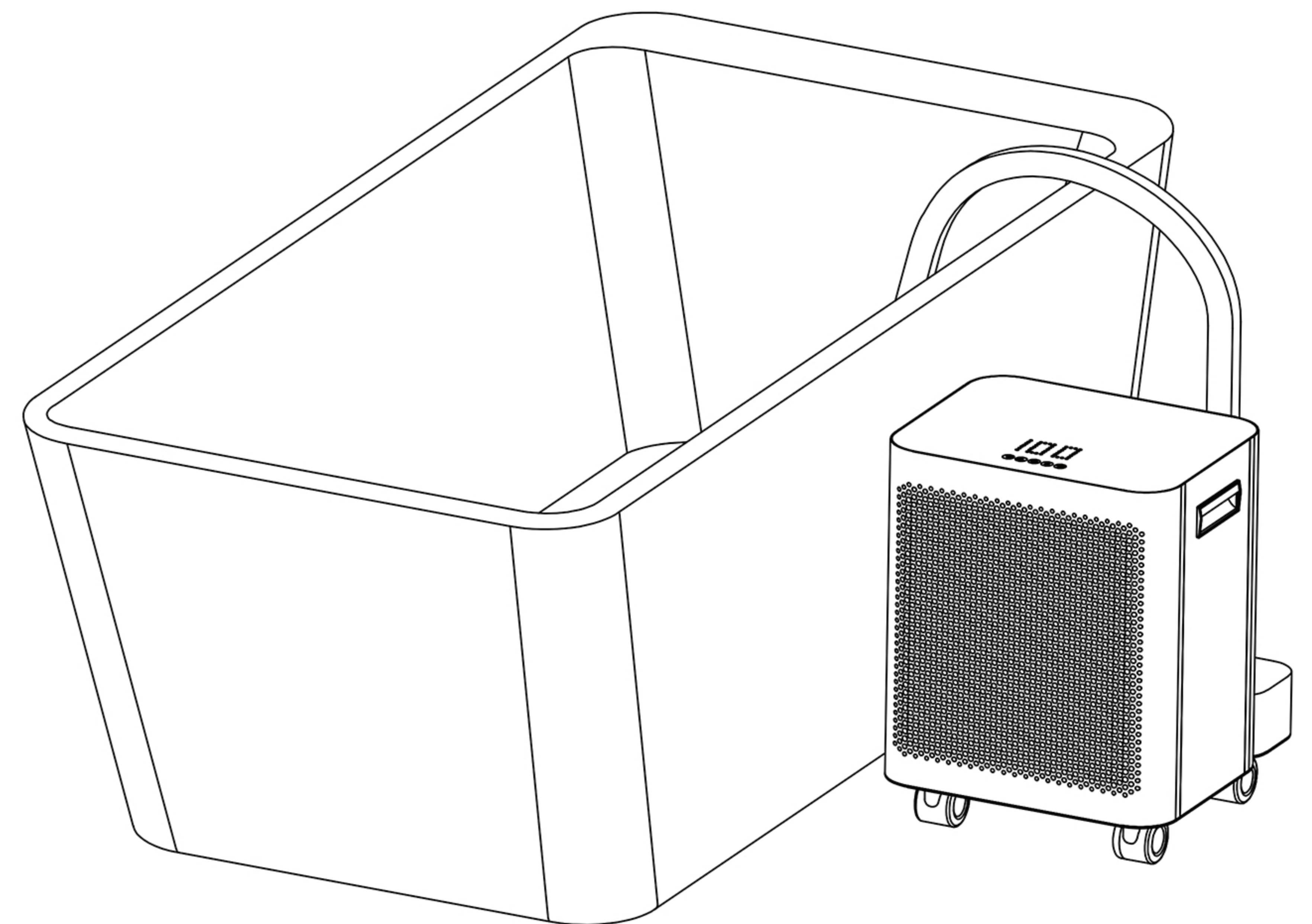




Operating Instructions

MODELO ICE BOX ONE



Warnings

1. Protection for use: Do not use the chiller in environments that is too cold (below 50°F) or too hot (above 104°F) to avoid chiller failure or damage.
2. Frost protection: When the ambient temperature is lower than 2 °C/36°F, empty the water in the chiller. Otherwise, the cold water will freeze and crack.
3. Routine maintenance: It is recommended to clean the filter at least once a month.
4. Ventilation requirement: Especially for indoor use, attention should be paid to ventilation with the outdoors. Otherwise, the cooling efficiency may be reduced.
5. Hypothermia Warning: Prolonged exposure to cold water may result in hypothermia. If symptoms such as strong tremors, difficulty sleeping, speaking, weakened motor function, muscle stiffness, skin turning blue, or irregular heartbeat occur, stop use immediately and seek emergency medical assistance.
6. It is forbidden to add acidic, alkaline or other corrosive agents to the water, so as to prevent corrosion of the internal pipelines of the chiller and avoid equipment failures.
7. As our products undergo continuous iteration and upgrading, the content of this manual will be updated in real time in line with product optimizations. Relevant changes will be made without prior notice.

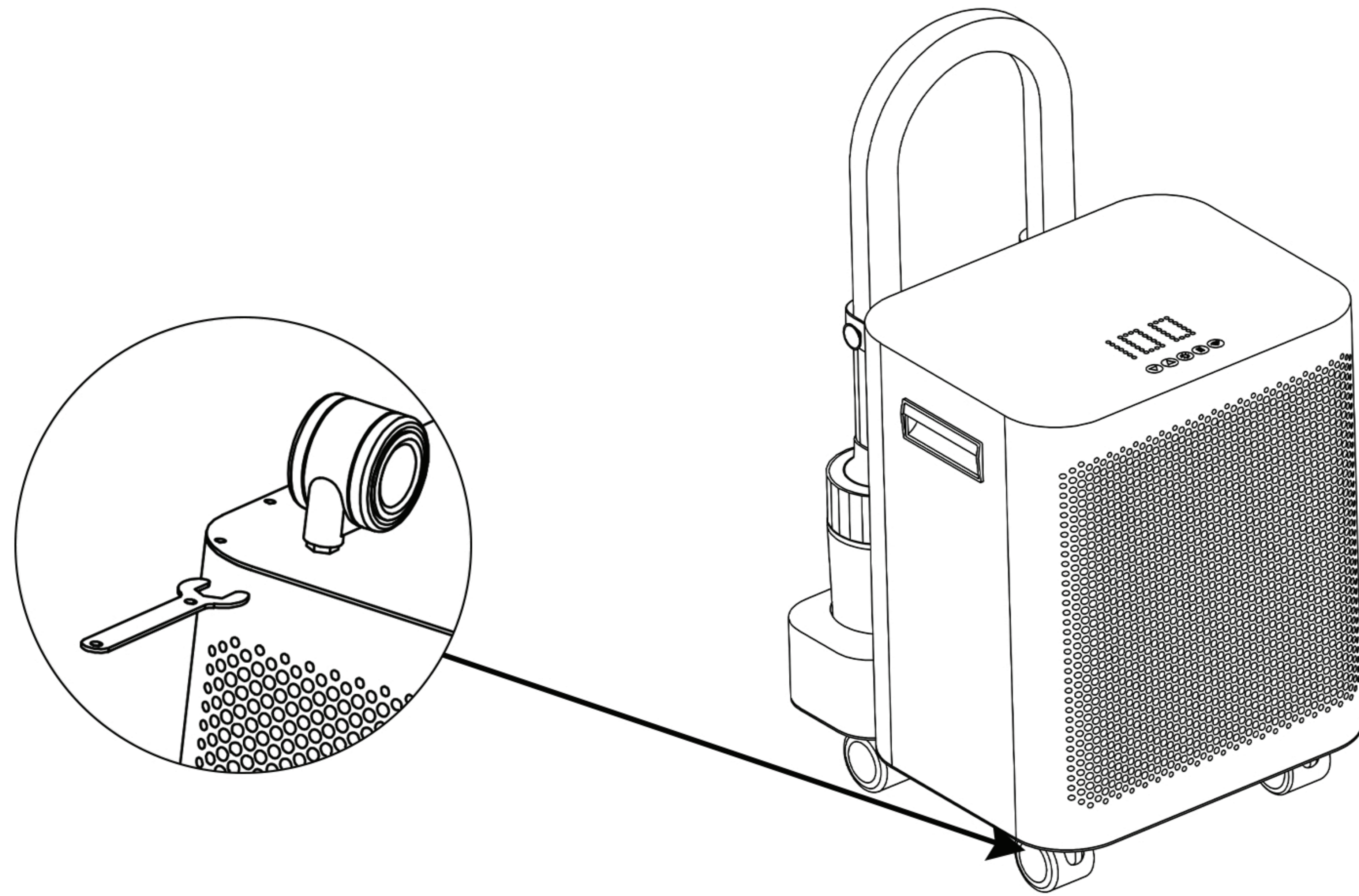
Specification Parameters

Item		Model	
		Chiller-110V	
Cooling capacity ①		kW	3.5
Power voltage		V/Hz	100-120V/60Hz
Power consumption ①		kW	1.16
MAX current ①		A	12
System MAX pressure ①		MPa	4.5
Temperature Setting Range ①		°F	37~77°F
Operating Ambient Temperature		°F	50~104°F
Water pump	Power	W	56
	Flow rate	L/H	1800
	Water head	m	12
Noise (1 meter)		dB(A)	68
R32 charge amount		g	500
Weight (with hose-arm)		lb	80.46
Dimension	Length	in	15.35
	Width	in	16.34
	Height	in	17.16
①Air temperature: (DB/WB)77°F/68°F Inlet water temperature 68°F			

Operating Instructions

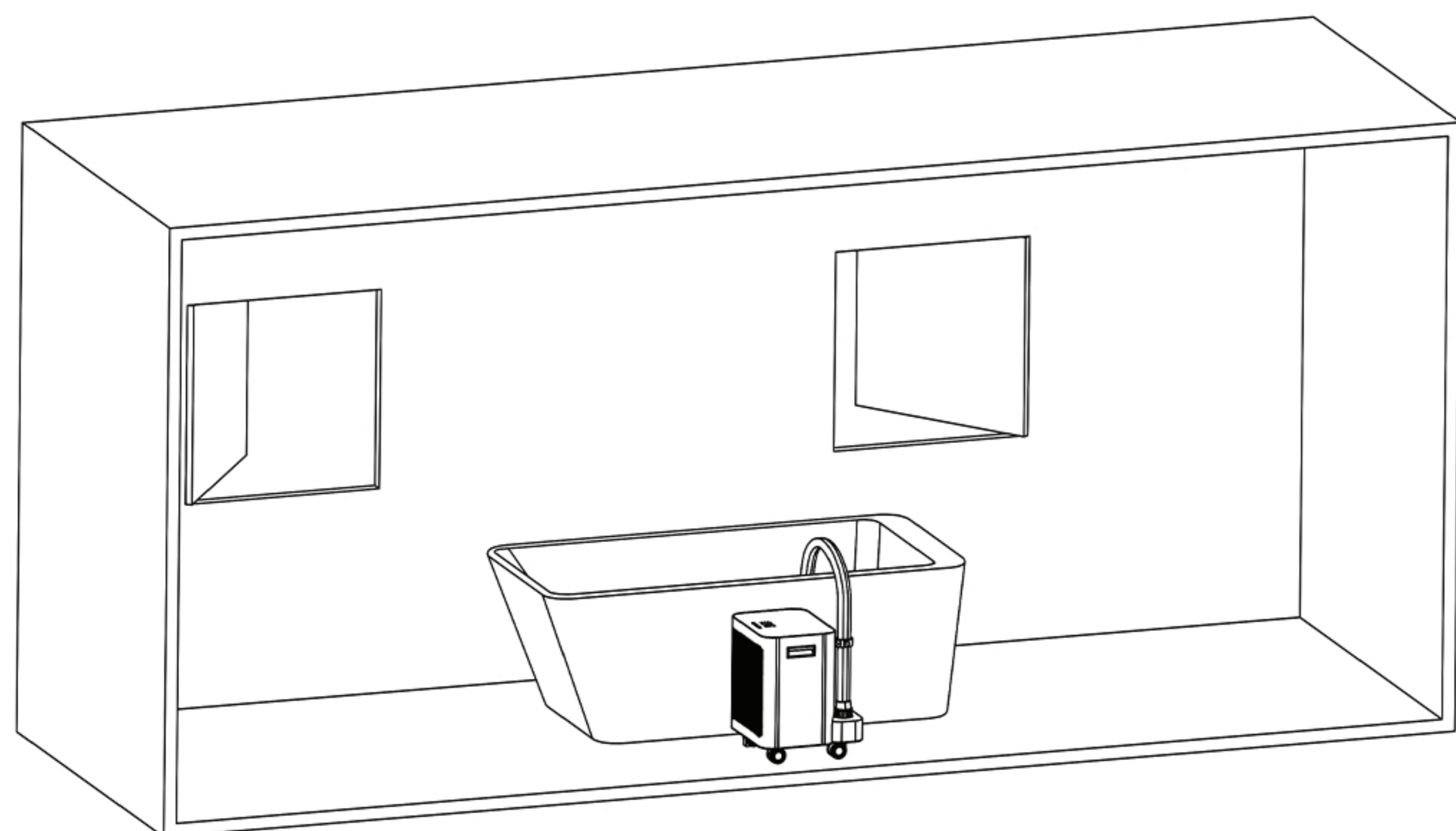
1. Before use, please install the wheels

⚠ Do not invert the chiller during installation.



2. Installation Location

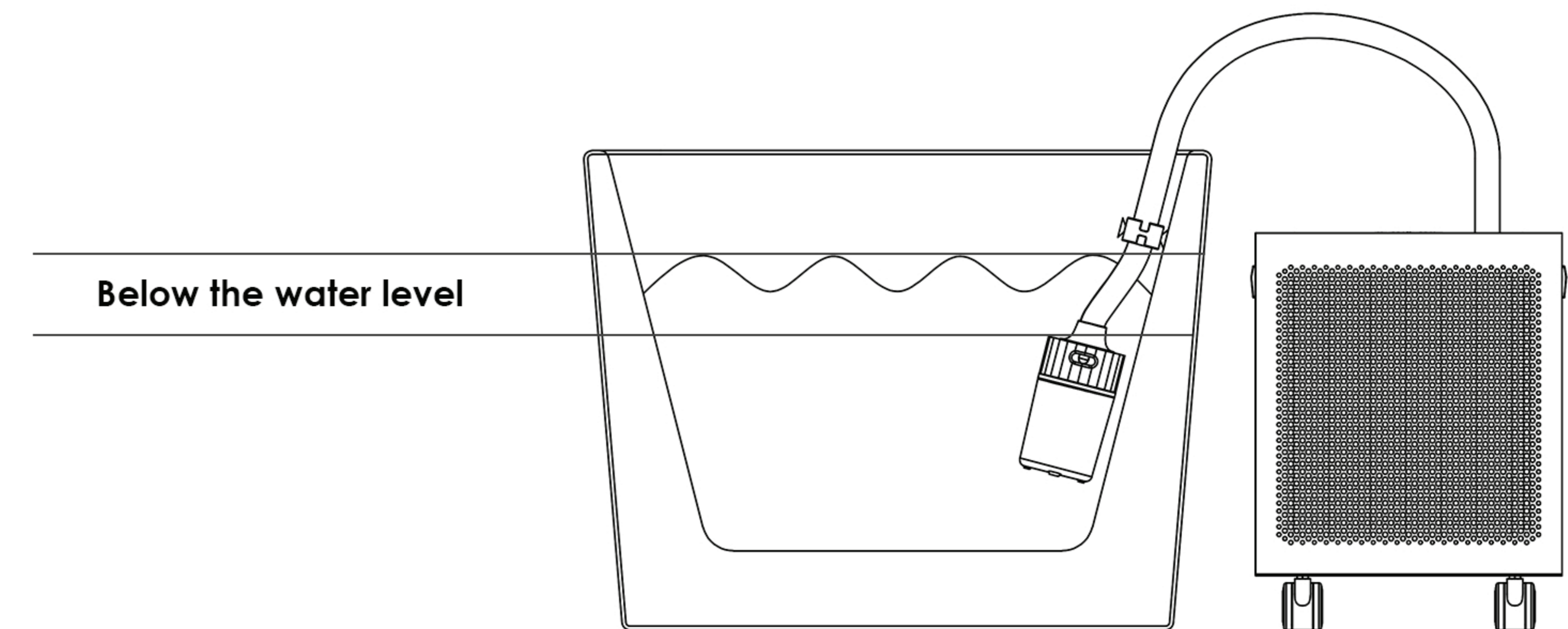
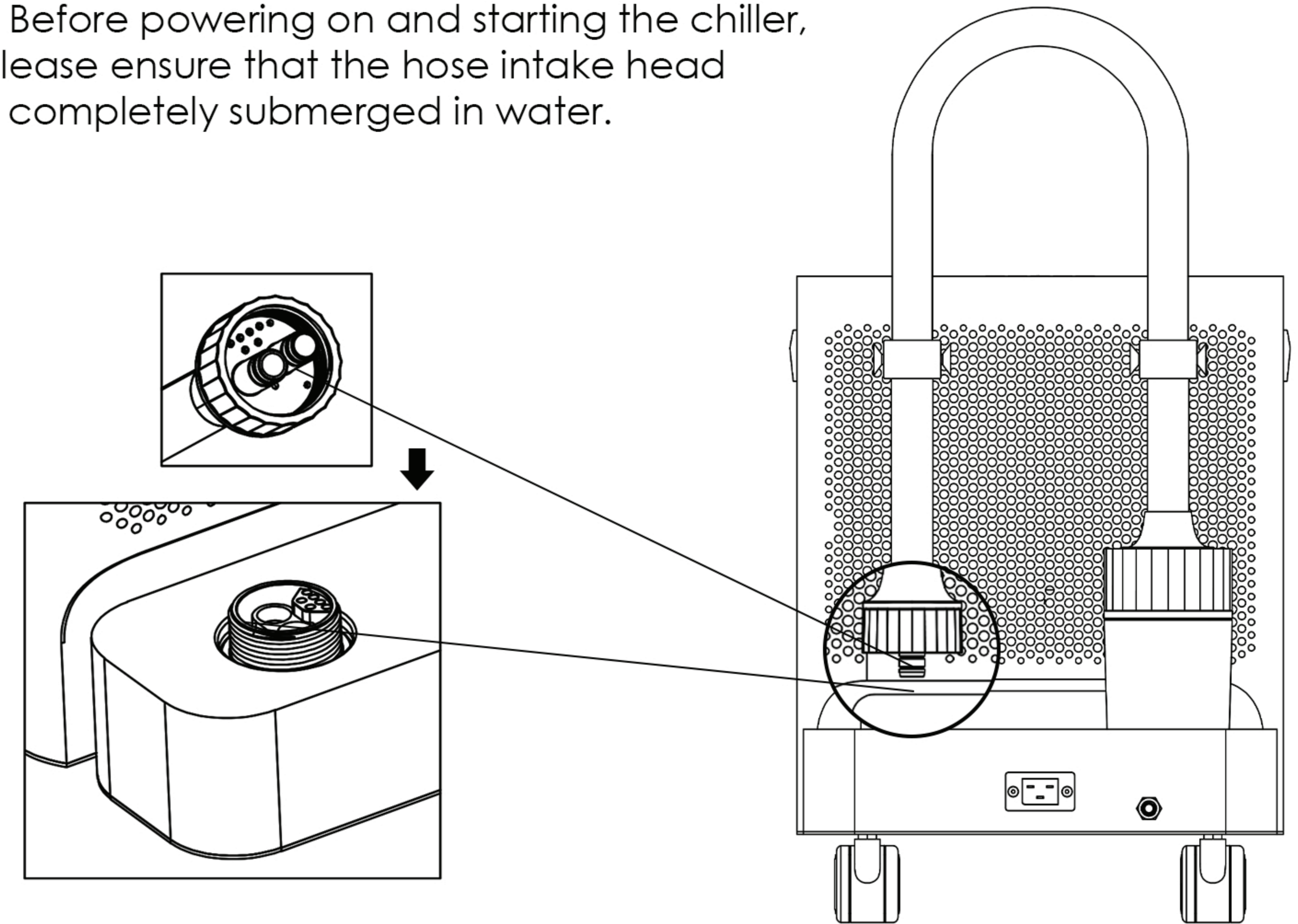
• Avoid direct sunlight: Ensure good ventilation to facilitate heat exchange.



3. Hose Installation

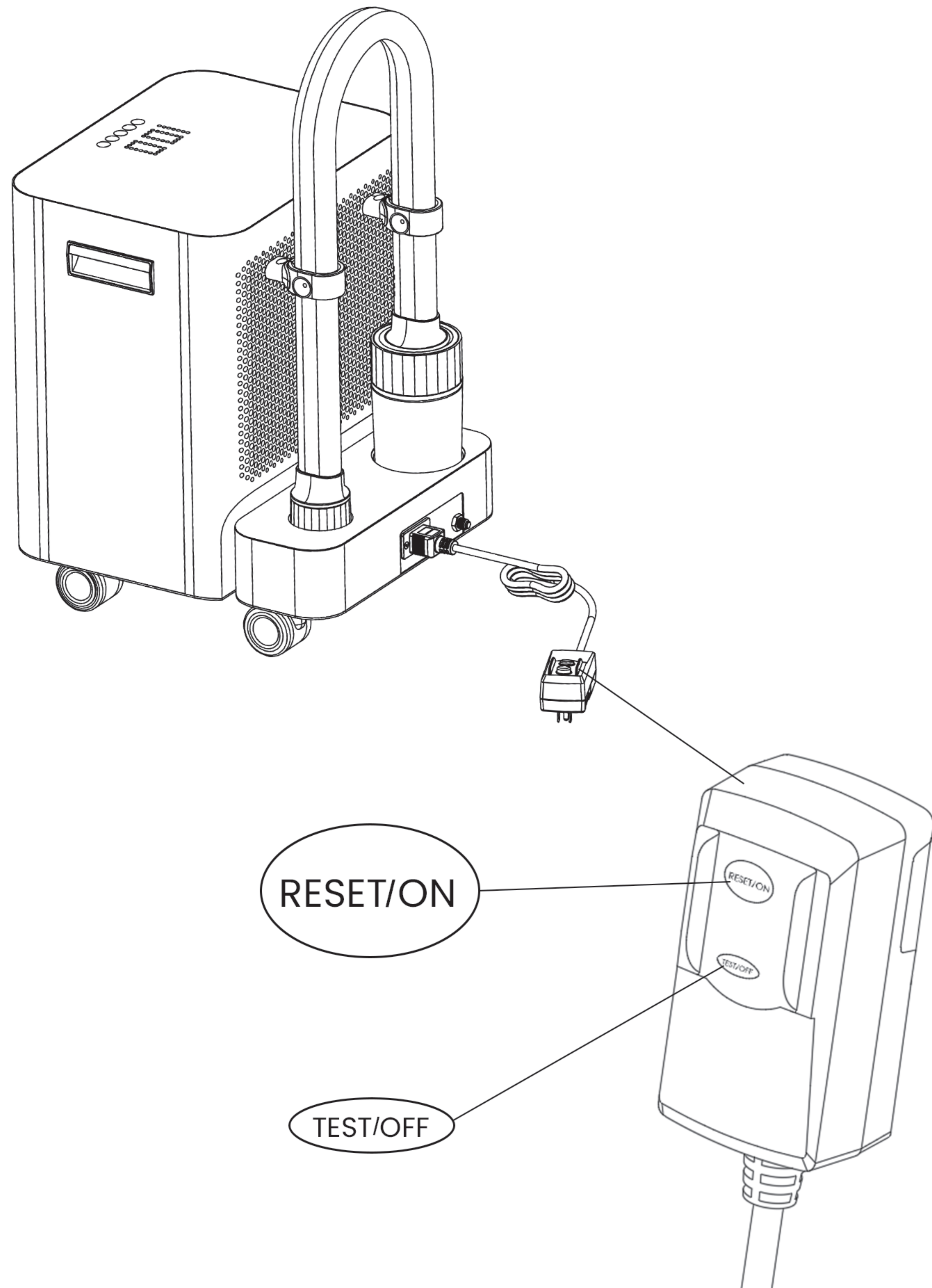
• Connect the hoses to the chiller by aligning the ports according to the schematic diagram.

• Before powering on and starting the chiller, please ensure that the hose intake head is completely submerged in water.

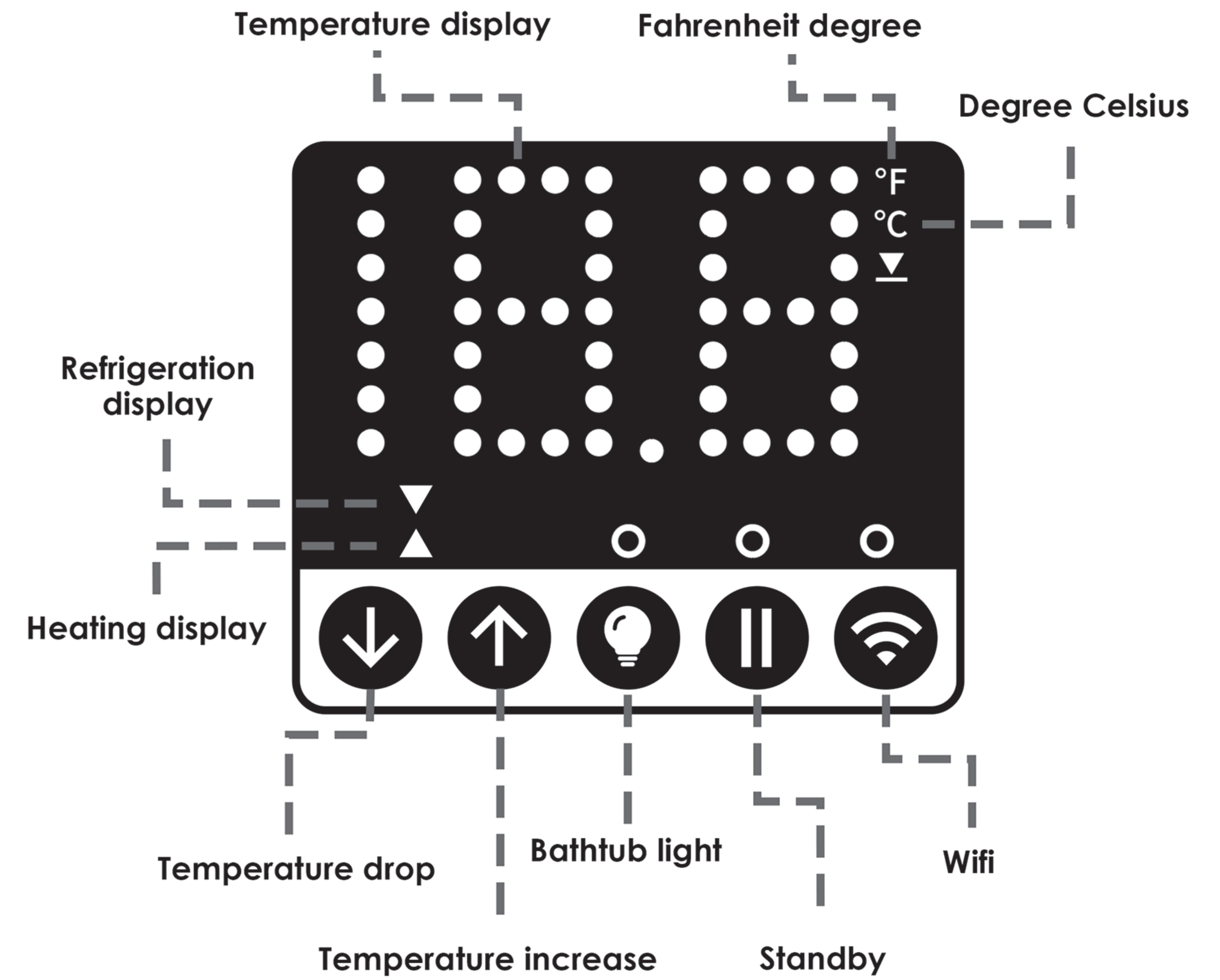


4. Power on

- Plug power cord into fixed socket (16A with ground, good grounding).
- Turn on leakage protection switch.



5. Control panel operation



- Press:** Temperature drop
- Press:** Temperature increase
- Press:** Turn on/off the bathtub light
- Press:** To activate/stop the heating and cooling modes;
Long press for 3 seconds: Shut off the water pump
- Tap:** Display traffic;
Long press for 5 seconds: Enter WIFI pairing;
Long press for 10 seconds: Enter the parameter setting interface.

Add device through a mobile APP

Step 1: Download the mobile APP and complete the registration and login



Step 2:



Tap: Display traffic;

Long press for 5 seconds: Enter WIFI pairing;

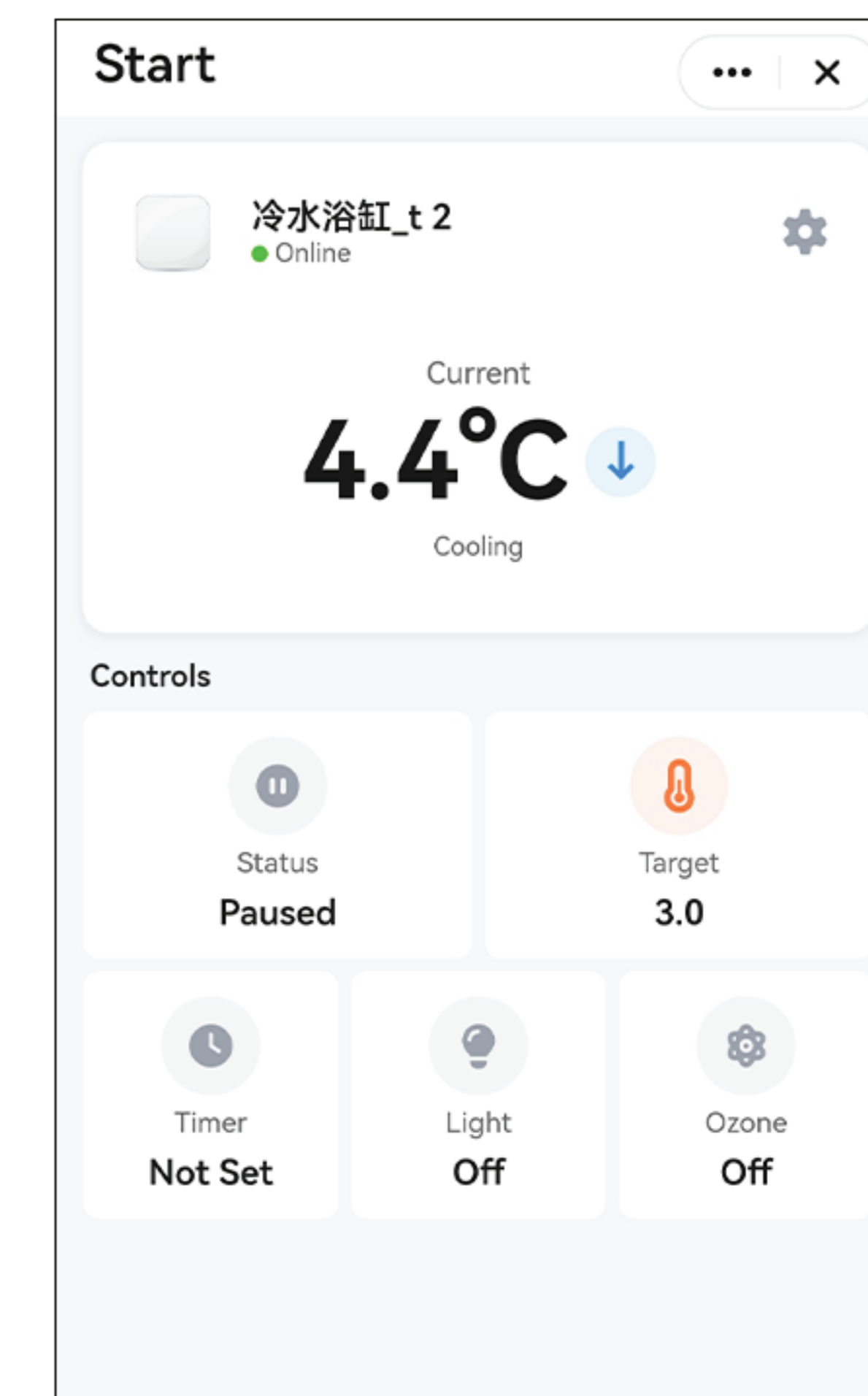
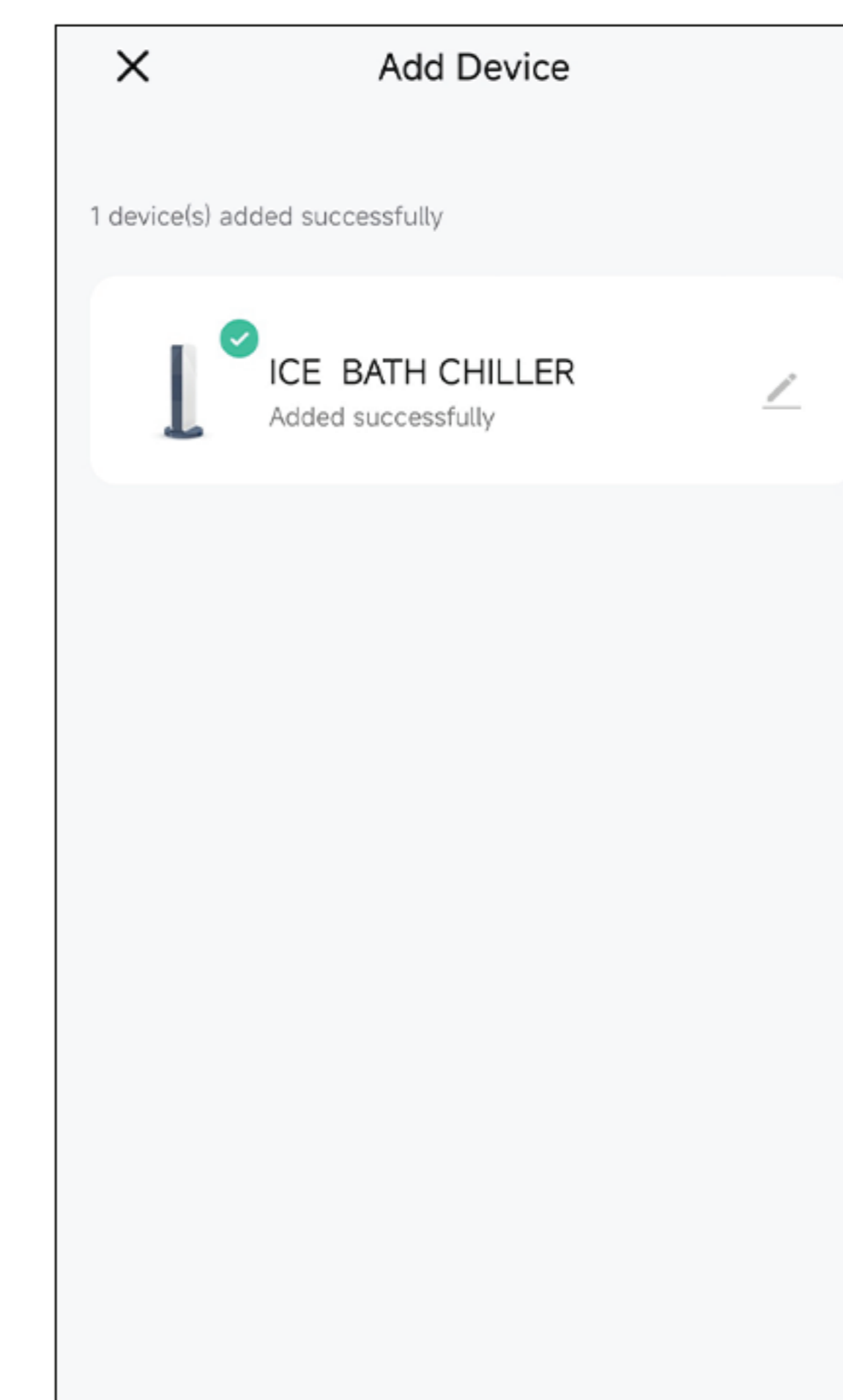
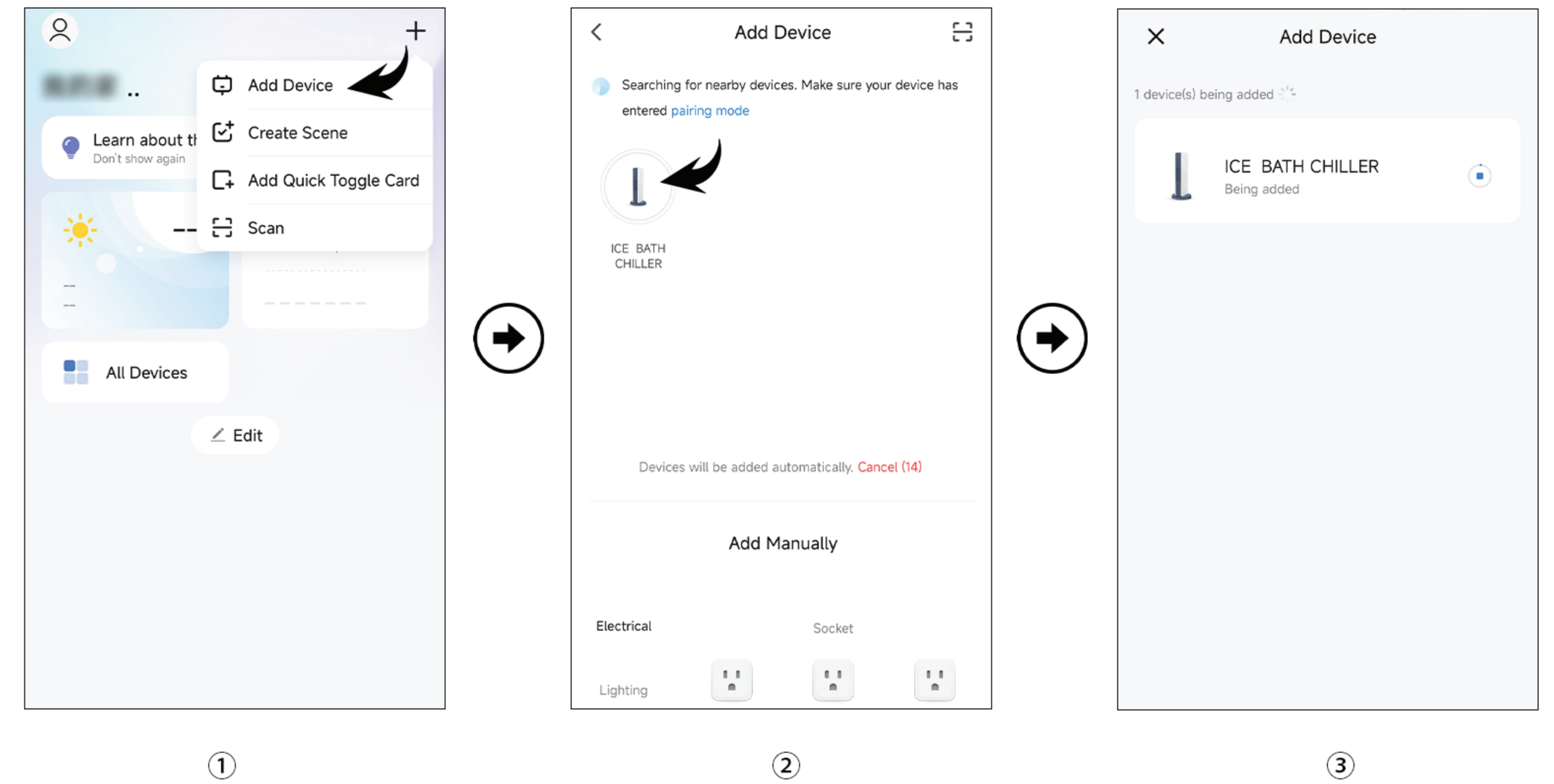
Long press for 10 seconds: Enter the parameter setting interface.

Step 3:



Turn on Bluetooth and wifi on your mobile phone

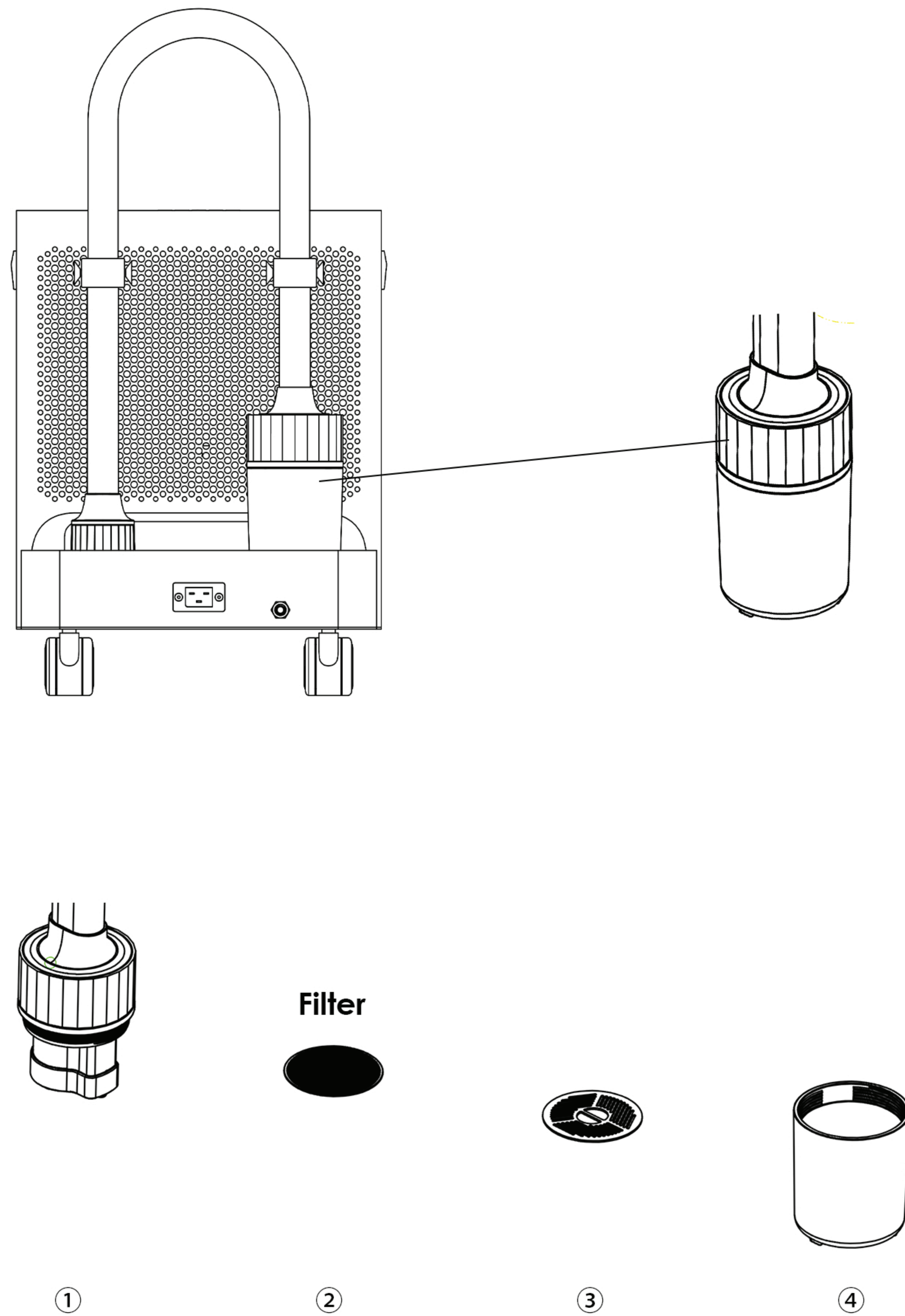
Step 4: Open the APP, add Device and match the chiller, the steps are as follows:



④

⑤

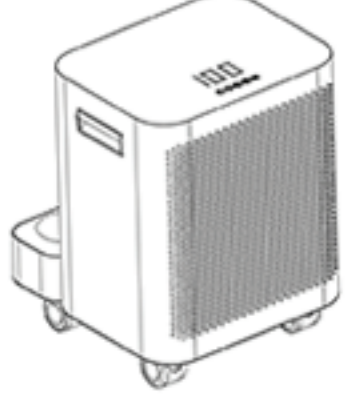

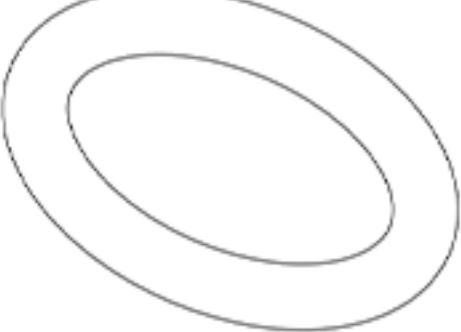
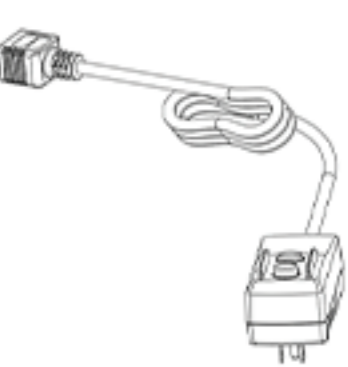
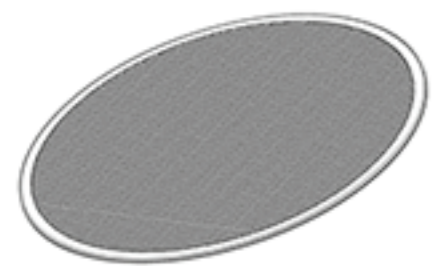
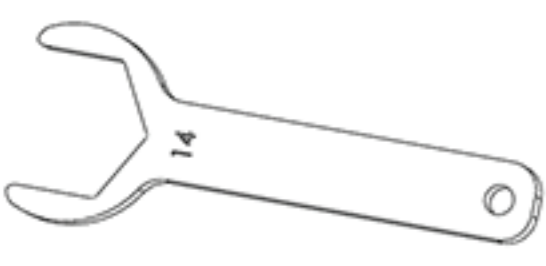


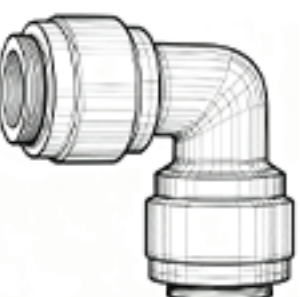


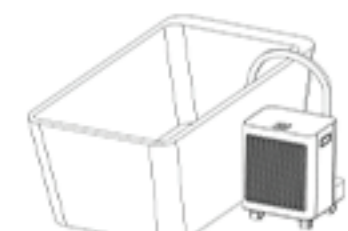
6. Filter cleaning



List of error codes

Error code	Description	Solution
E1	Environmental NTC Open Circuit	Please contact the manufacturer
E2	Water temperature NTC open circuit	
E3	Exhaust NTC open circuit	
E4	Low water flow protection	Please check whether the water circuit is operating normally
E5	Ambient temperature too high	Please keep the air in the chiller open
E6	Ambient temperature too low	
E7	Water temperature too high	Please contact the manufacturer
E8	Water temperature too low	
E9	Discharge temperature too high	Please keep the air in the chiller open
EA	Compressor current too low	Please contact the manufacturer

Package List


NO.	Picture	Description	Unit	Quantity
01		Chiller	set	1
02		Hose Arm	pcs	1
03		O Ring $\varnothing 17*3$	pcs	4
04		Power Cord	pcs	/
05		Filter	pcs	1
06		Wheel wrench	pcs	1
07		Three pronged hexagonal wrench	pcs	1
08		Brake Wheel	pcs	4
09		Elbow Quick Coupling	pcs	1
10		Quick-connect Clip	pcs	1
11		Plastic Suction Cups	pcs	2
12	<small>Operating Instructions</small> 	User Manual	pcs	1


After-Sales and Technical Support

To ensure prompt assistance, please provide:

- Chiller code (e.g. 26DJS1HPW0416004)

AHR-F263-1-M-W
THERMO CHILLER (V1.0)
 POWER LINE AC100V-120V 60Hz
 CURRENT 7A
 CAPACITY(AIC) 2.50Kw(Cooling)
 DIMENSION 415*390*505mm
 WEIGHT 36.5KG(Net Weight)
 SERIAL NO. 26DJS1HPW0416004





26DJS1HPW0416004



- Purchase date
- Fault description (with photos/videos recommended)